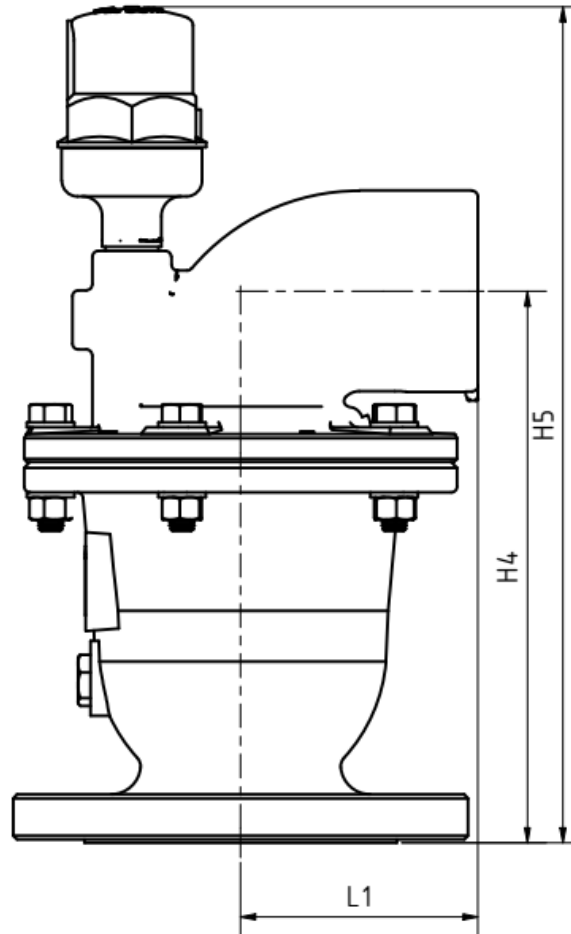


### dimensions and weight



Size DN	big nozzle	Venting-connection	L1	H4	H5	weightt
mm	mm <sup>2</sup>		mm	mm	mm	kg
50	794	1,5" IG	75	196	306	7
80	1.809	2" IG	100	205	373	13
100	3.317	3" IG	120	275	424	19
150	7.850	4" IG	141	331	482	39
200	17.662	6" Nut	240	504	587	80

Other diameters on request