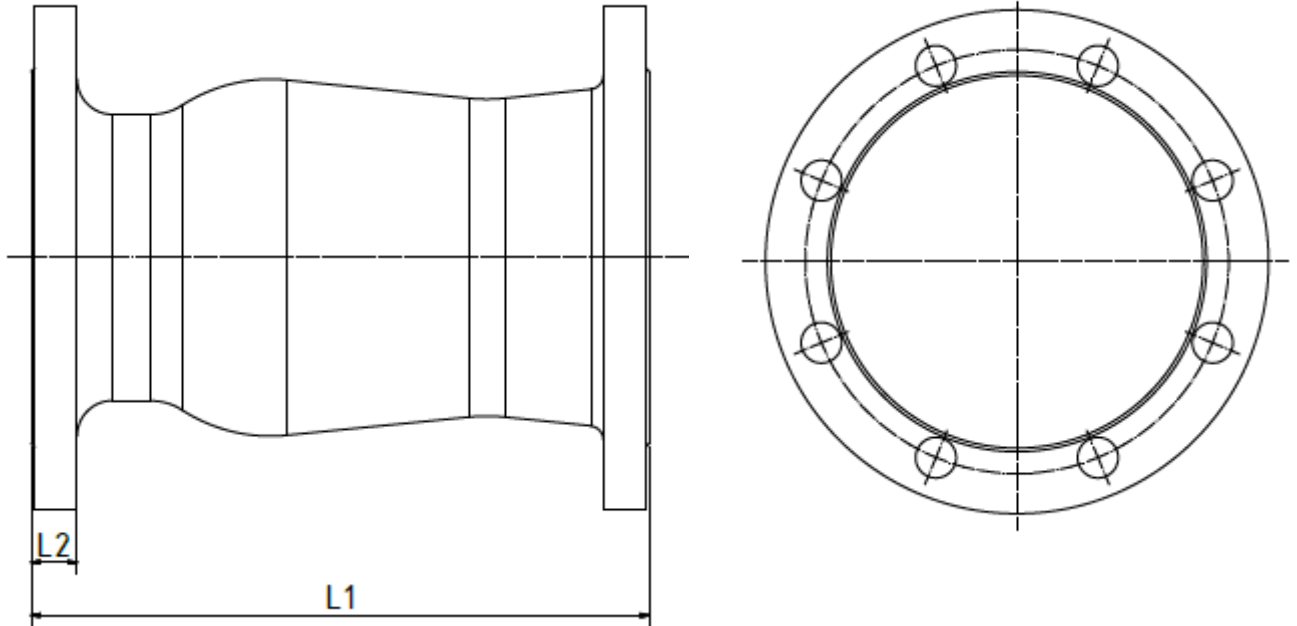


Dimension and weight



Size DN	Face to Face L1	L2	weight
mm	mm	mm	kg
25	100	18	4
32	100	18	5
40	120	18	6
50	120	20	10
65	150	22	13
80	180	24	18
100	240	24	25
125	300	26	36
150	350	28	52
200	450	34	85
250	500	34	85

Other diameters on request