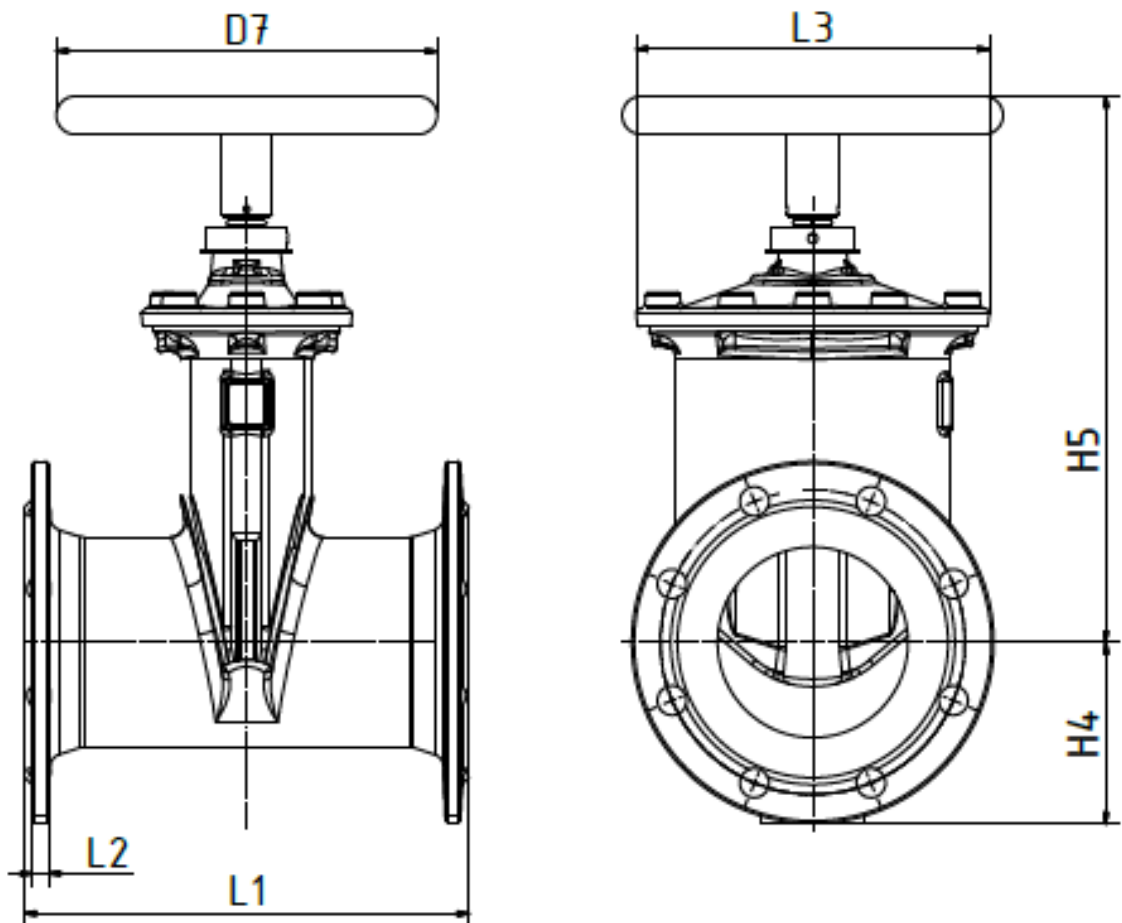


Dimensions and weight



Size DN	FTF L1	L2	L3	D7	H4	H5	Handwheel Mounting	weight
mm	mm	mm	mm	mm	mm	mm	thread	Kg.
50	250	19	151	200	83	192	M8	10
65	270	19	165	250	93	218	M10	12
80	280	19	172	250	100	248	M10	15
100	300	19	204	300	110	280	M10	19
125	325	19	248	300	125	330	M10	27
150	350	19	278	300	143	368	M10	35
200	400	20	362	400	170	440	M12	64
250	450	22	419	500	203	608	M12	118
300	500	25	504	500	228	714	M12	179
350	550	27	582	600	260	820	M16	228
400	600	28	582	600	290	820	M16	243
500	700	31	730	800	358	1040	M16	509

other diameters on request